

conneCT

powered by analogic 



Analogic ConneCT Checkpoint Security System

Advanced threat detection for carry-on baggage screening, designed to optimize passenger throughput

The Analogic ConneCT Checkpoint Security System is an advanced aviation security EDS engineered to deliver superior threat detection, dramatically improved passenger throughput, and low total cost of ownership.

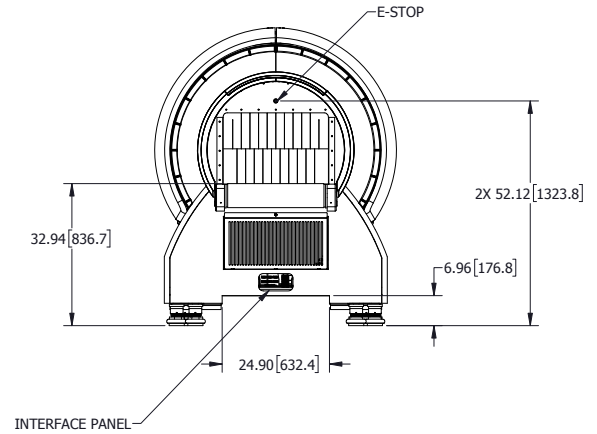
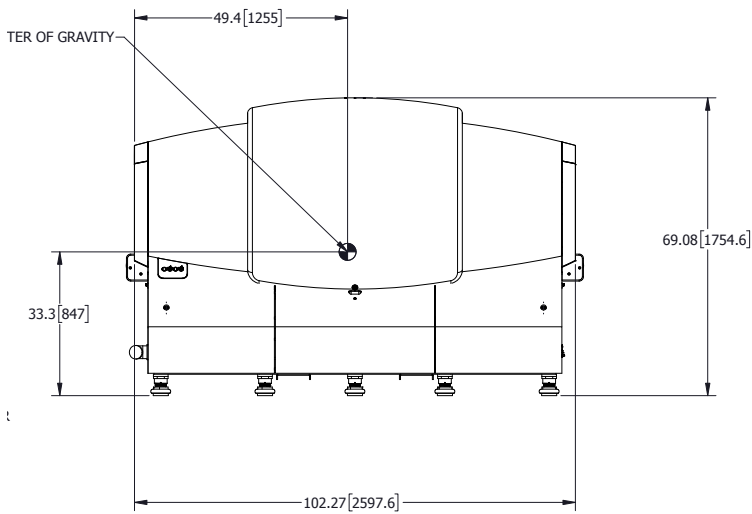
The ConneCT embodies 25 years of Analogic's industry leadership and innovation in aviation screening technology. ConneCT combines Computed Tomography (CT) imaging with advanced EDS threat detection Software. This reduces false alarms and passenger liquid and electronics divestment, and increases passenger throughput. The ConneCT is designed to meet the highest global standards for threat detection and can be upgraded via in-the-field software enhancements.

Product Highlights

- Full 3D, high resolution imaging for superior threat detection and low false alarms
- 2nd Generation High Speed CT technology designed for high passenger throughput
- Compact footprint - easy for airports to upgrade to ConneCT from current 2D X-ray scanners
- Integrates with leading automated tray return and baggage handling systems
- Interoperable network architecture supports remote image analysis and system monitoring

GENERAL SPECIFICATIONS

Imaging Technology	Dual Energy Patented Computed Tomography (CT) Technology
Conveyor speed	15 cm / second
Operational Throughput	> 600 Bags Per Hour
Dimensions (L x W x H)	2.69 m x 1.44 m x 1.75 m
Weight	1990 kg
Tunnel Size	62 cm x 42 cm
Maximum Bag Size	91.4 cm
Maximum conveyor load	136 kg
PowerConsumption	3000 W
Power Requirement	208/230VAC
Computer OS	Linux
X-Ray Voltage	160 kV, 5mA
Duty Cycle	100%
Operating Noise Level @ 0.5m (dB)	<70dB
Operating Temperature	0 – 40° C
Transport / Storage Temperature	-7°C to 49°C
Relative Humidity	10 – 90%, non-condensing
Additional Cooling (Internal / External)	Ambient Fan Cooled



Radiation Safety

All Analogic X-ray systems are in full compliance with all international radiation safety requirements and external emission limits.

Certifications



ETLL listed
 Conforms to
 UL Std. 61010-1 Ed. 3,
 IEC 61010-2-091 Ed. 1,
 Certified to
 CAN/CSAS td. C22.2
 No. 61010-1 Ed. 3



The information contained in this datasheet is subject to change without notice. This datasheet is intended for marketing purposes only and in no event shall it be used or included in a resulting contract between Analogic and customer. Actual products delivered may not match the products depicted herein and may not include all the features and capabilities shown. Analogic has made all reasonable efforts to ensure that the information in this datasheet is accurate and it disclaims any and all warranties for such accuracy and completeness. Final determination of the suitability of Analogic's products for any application or the manner of its use is the sole responsibility of the customer. This datasheet consists of Analogic general capabilities information that does not contain controlled technical data as defined within the Export Administration Regulations (EAR) Part 734.7-11

© 2017 All rights reserved. Analogic Corporation.
 This version supersedes any prior versions.
 Version ConneCT_Data Sheet 0517

Website:	www.analogic.com
Email:	info@analogic.com
Global Sales and Support:	+1 978-326-4000